

## Rubber Metal antivibration mounts

# BRB ANTI VIBRATION MOUNT



AMC Mecanocaucho® BRB Captive anti vibration mounts are antivibration elements which work the rubber in shear and compression. Their high profile rubber sections produce larger deflections, low natural frequencies. This range of mounts is suitable for applications where vibration isolation is a priority.

AMC Mecanocaucho® BRB Captive mount is especially recommended for applications where vibration isolation is necessary, such as isolation of rotating or mobile machines that are continuously subjected to shocks, dripping oil or diesel or are exposed to the elements.

### TECHNICAL CHARACTERISTICS

- The top metal hood protects the rubber from the Ozone, UV rays, diesel or oils which damage the rubber.
- The metal parts have a suitable anticorrosive treatment for outdoor applications. RoHS compliant.
- They have an interlocking metal component that provides a fail-safe protection for mobile applications. This device limits vertical movement when the mounting is submitted to shock inputs.
- The mounts are clearly identified, as the baseplates are engraved with the type and hardness, which makes it possible to easily recognise the part even after several years of use.
- The top cap has a cross shaped indentation which enhances rigidity on mobile applications and also permits oils or liquids to flow off the mounting .

### APPLICATIONS

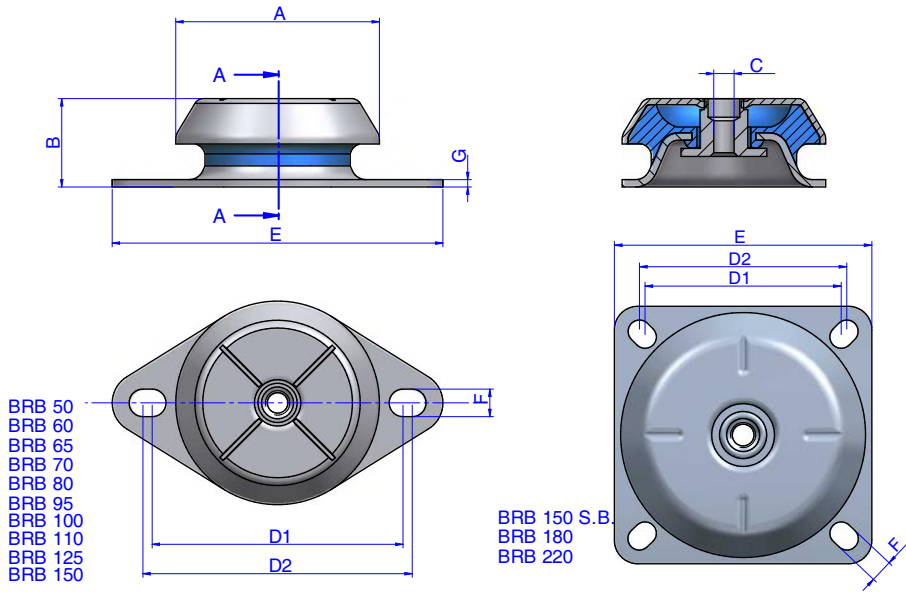
This mount is suitable for the isolation of mobile rotating machines which are exposed to axial and radial shocks, dripping oil, diesel or exposure to the weather. It is particularly interesting for applications where a high level of vibration isolation is required.



# Rubber Metal antivibration mounts

## BRB ANTI VIBRATION MOUNT

### DRAWINGS



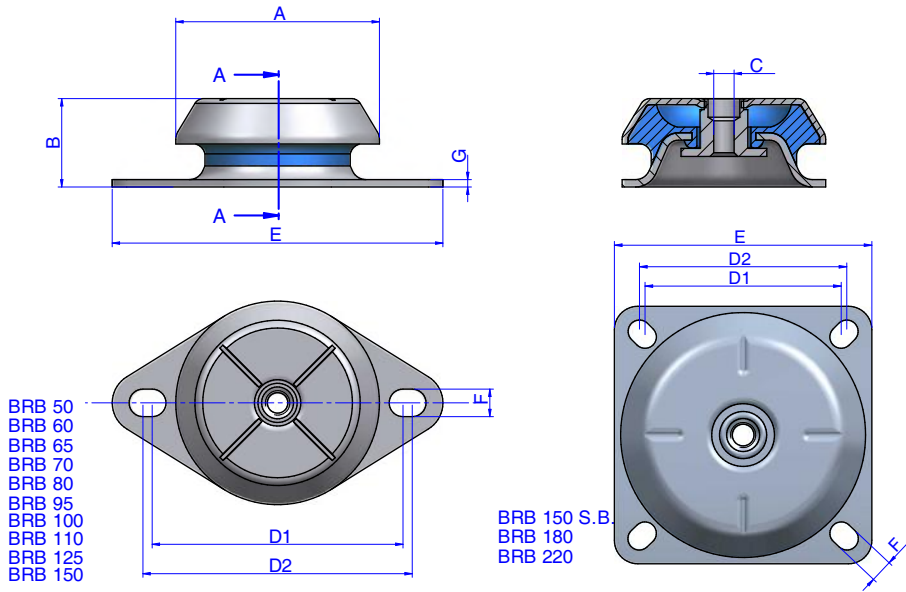
### DIMENSIONS

Type	A (mm.)	B (mm.)	C (mm.)	D1 (Min.)	D2 (Max.)	E (mm.)	F (mm.)	G (mm.)	Weight (gr.)	Load (kg.)	Shore	Code
BRB 50	50	25	M-8	61	70	85	6,5	2	100	20	40 Sh	135451
										40	50 Sh	135453
										50	60 Sh	135455
										80	70 Sh	135457
BRB 60	64	35	M-10	76,5	90,5	110	9	2,5	225	30	40 Sh	135101
										45	50 Sh	135405
										65	60 Sh	135103
										75	70 Sh	135104
BRB 65 M10	64	35	M-10	76,5	90,5	110	9	2,5	243	50	40 Sh	135421
										75	50 Sh	135422
										120	60 Sh	135423
BRB 65 M12	64	35	M-12	76,5	90,5	110	9	2,5	243	140	70 Sh	135424
										50	40 Sh	135431
										75	50 Sh	135432
										120	60 Sh	135433
										140	70 Sh	135434

# Rubber Metal antivibration mounts

## BRB ANTI VIBRATION MOUNT

### DRAWINGS



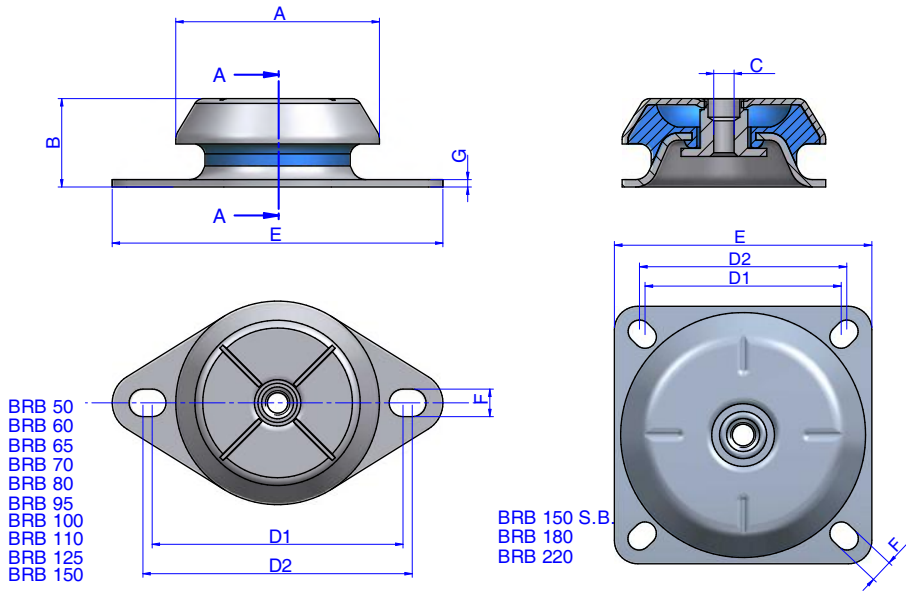
### DIMENSIONS

Type	A (mm.)	B (mm.)	C (mm.)	D1 (Min.)	D2 (Max.)	E (mm.)	F (mm.)	G (mm.)	Weight (gr.)	Load (kg.)	Shore	Code
BRB 70	64	35	M-12	100	100	120	11	3	253	50	40 Sh	135251
										75	50 Sh	135252
										120	60 Sh	135253
										140	70 Sh	135254
BRB 80 M10	83	35	M-10	108	112	134,8	11	3	398	80	40 Sh	135231
										130	50 Sh	135232
										175	60 Sh	135233
BRB 80 M12	83	35	M-12	108	112	134,8	11	3	398	235	70 Sh	135234
										80	40 Sh	135275
										130	50 Sh	135276
BRB 95 M10	122	39	M-10	108	126,6	150	10	3	657	175	60 Sh	135277
										235	70 Sh	135278
										150	40 Sh	135771
BRB 95 M10	122	39	M-10	108	126,6	150	10	3	657	260	50 Sh	135772
										330	60 Sh	135773
										390	70 Sh	135774

# Rubber Metal antivibration mounts

## BRB ANTI VIBRATION MOUNT

### DRAWINGS



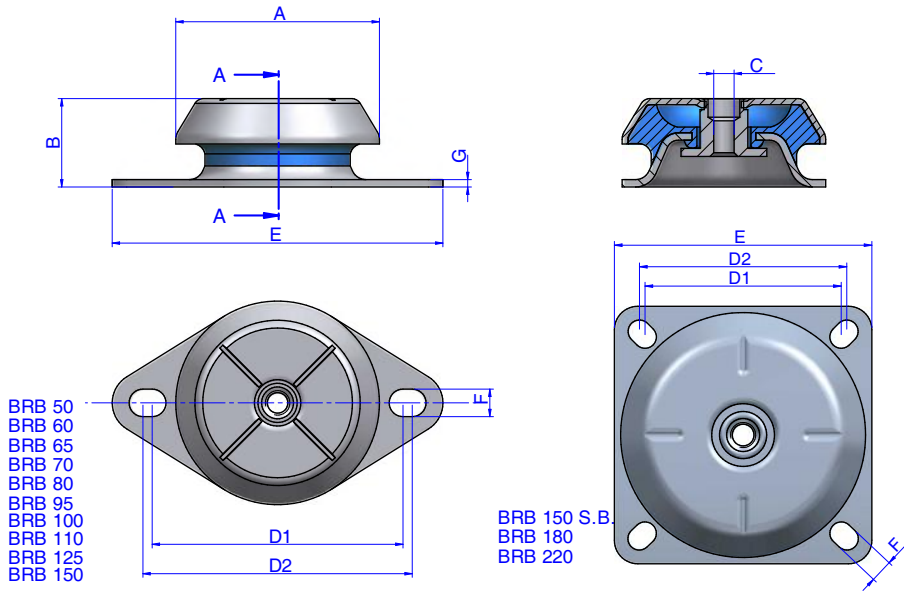
### DIMENSIONS

Type	A (mm.)	B (mm.)	C (mm.)	D1 (Min.)	D2 (Max.)	E (mm.)	F (mm.)	G (mm.)	Weight (gr.)	Load (kg.)	Shore	Code
BRB 95 M12	92	39	M-12	122	126,6	150	10	3	657	150	40 Sh	135761
										260	50 Sh	135762
										330	60 Sh	135763
										390	70 Sh	135764
BRB 110 M12	106	41	M-12	137	150	175	13	3	857	200	40 Sh	135241
										305	50 Sh	135242
										420	60 Sh	135243
										450	70 Sh	135244
BRB 110 M16	106	41	M-16	137	150	175	13	3	857	200	40 Sh	135331
										305	50 Sh	135332
										420	60 Sh	135333
										450	70 Sh	135334
BRB 125	123	48	M-16	154	162	190	14	4	1170	310	40 Sh	135618
										450	50 Sh	135620
										700	60 Sh	135622
										900	70 Sh	135624

# Rubber Metal antivibration mounts

## BRB ANTI VIBRATION MOUNT

### DRAWINGS



### DIMENSIONS

Type	A (mm.)	B (mm.)	C (mm.)	D1 (Min.)	D2 (Max.)	E (mm.)	F (mm.)	G (mm.)	Weight (gf.)	Load (kg.)	Shore	Code
BRB 150 S.B.	155	53,5	M-16	125	132	164	14,5	4	2030	450	40 Sh	135205
										570	50 Sh	135206
										800	60 Sh	135207
										1000	70 Sh	135208
BRB 150	155	53,5	M-16	176	188	218	14,5	4	1840	450	40 Sh	135161
										570	50 Sh	135162
										800	60 Sh	135163
										1000	70 Sh	135164
BRB 180	186	84	M-20	146	150	181	14	5	3800	875	40 Sh	135391
										1200	50 Sh	135392
										1700	60 Sh	135393
										2400	70 Sh	135394
BRB 220	230	105	M-24	180	180	220	19	6	6716	1600	40 Sh	135201
										2400	50 Sh	135200
										3400	60 Sh	135202
										4200	70 Sh	135203

# Rubber Metal antivibration mounts

## BRB ANTI VIBRATION MOUNT

### ELASTICAL PROPERTIES

